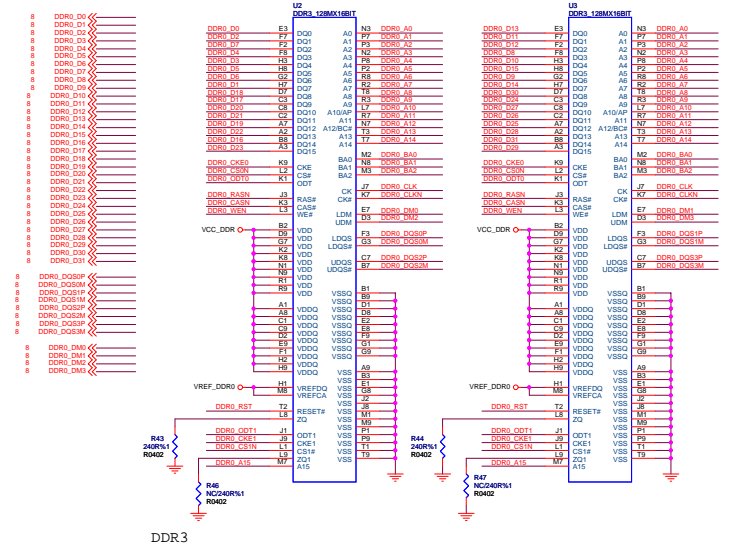


Rockchip 福州瑞芯微电子股份有限公司

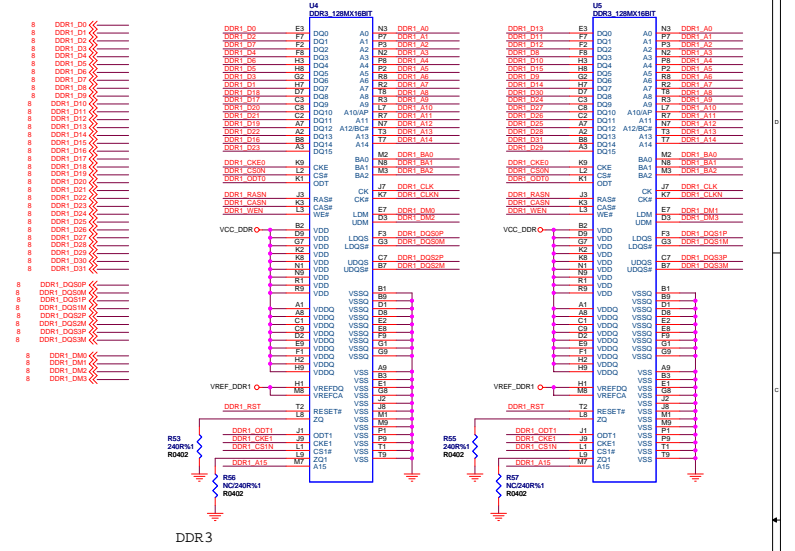
Title: RK3288 USB/HSIC Controller

File: RK3288_BOX_Ref REV:1.2

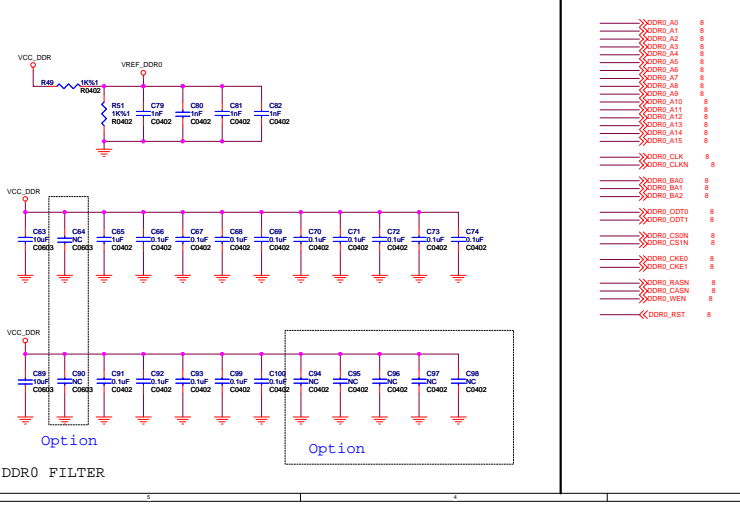
Create Date: Monday, February 17, 2014	Page Num: 6
Modify Date: Wednesday, December 09, 2015	Page Total: 22



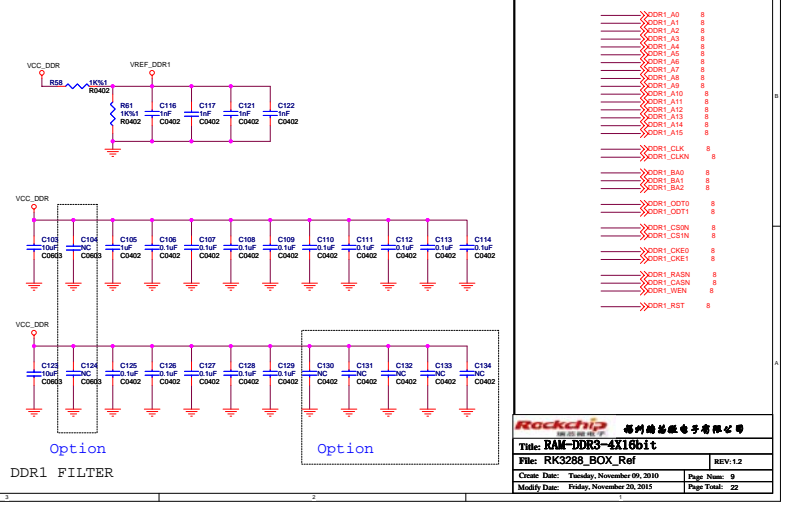
DDR3



DDR3

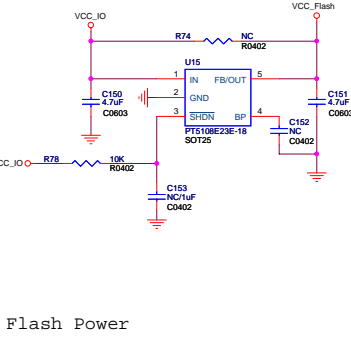
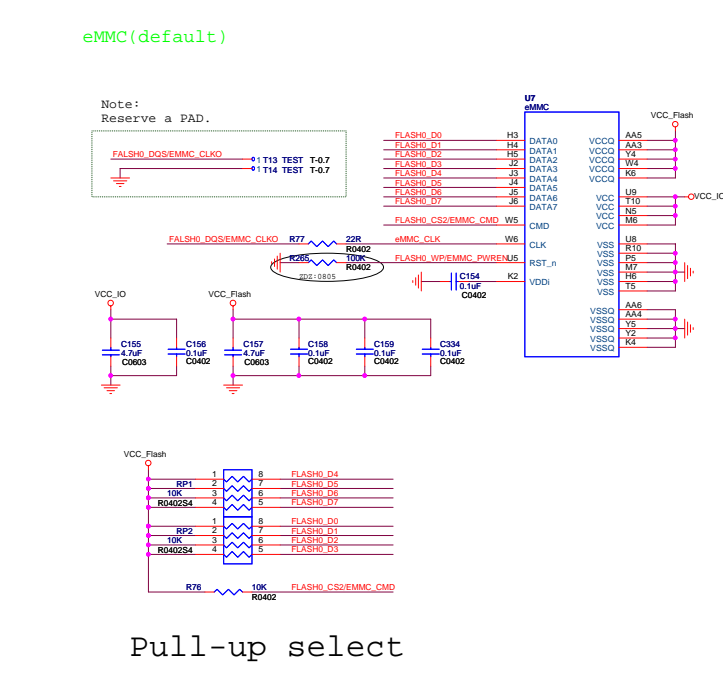
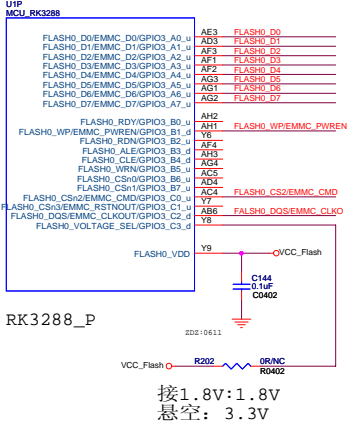
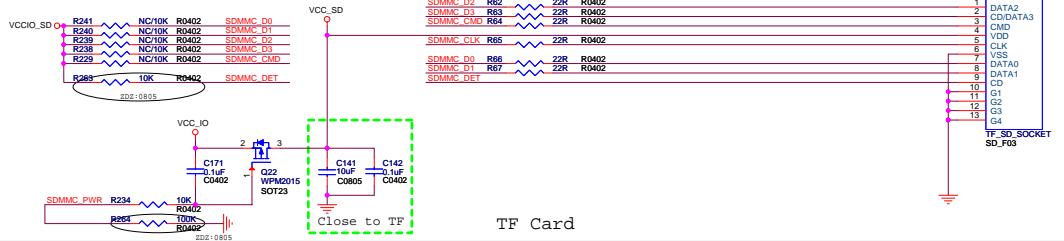
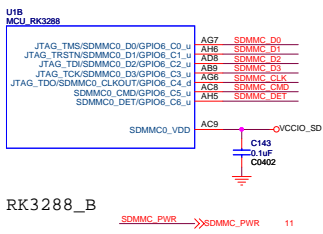


Option
DDR0 FILTER



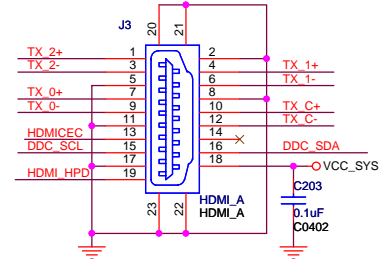
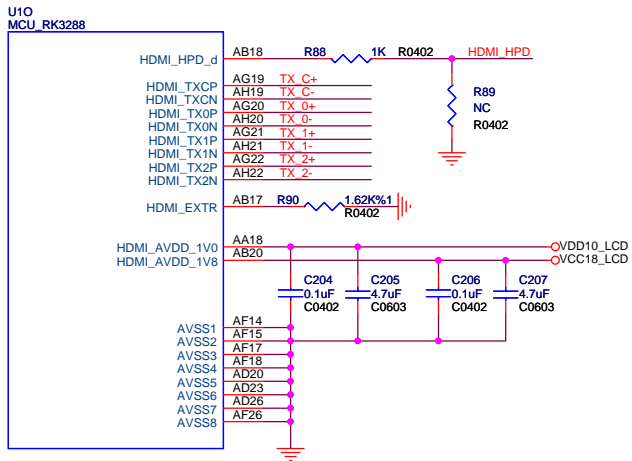
Option
DDR1 FILTER

Rockchip 苏州瑞芯微电子公司
Title: RAM-DDR3-4X16bit
File: RK3288_BOX_Ref
 Create Date: Tuesday, November 09, 2016 Page: 9 of 9
 Modify Date: Friday, November 20, 2015 Page Total: 22

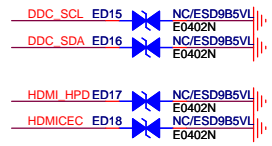
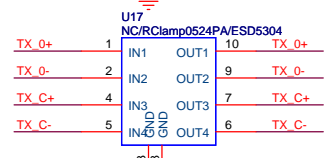
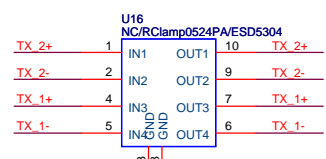


Rockchip 福州瑞芯微电子股份有限公司

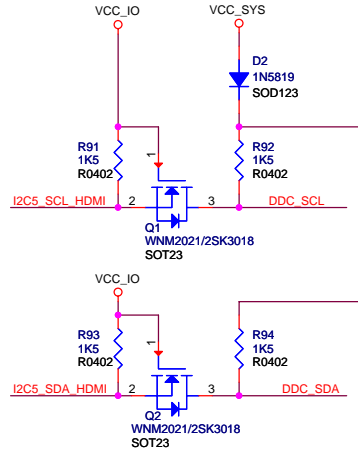
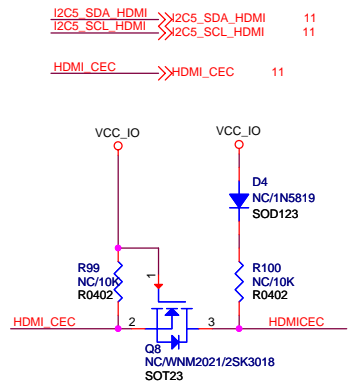
Title: Nand FLASH/eMMC/TF Card
File: RK3288_BOX_Ref REV:1.2
Create Date: Sunday, January 26, 2014 Page Num: 10
Modify Date: Wednesday, December 09, 2015 Page Total: 22



HDMI OUT



RK3288_O



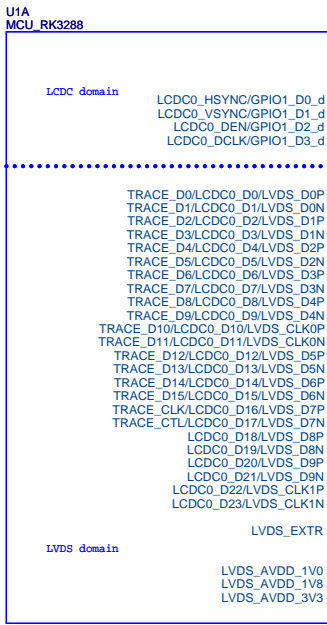
Rackchip 福州瑞芯微电子股份有限公司

Title: **HDMI OUT**

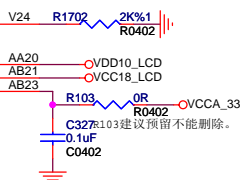
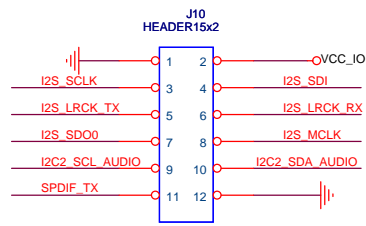
File: **RK3288_BOX_Ref** REV:1.2

Create Date: Sunday, January 26, 2014 Page Num: 12

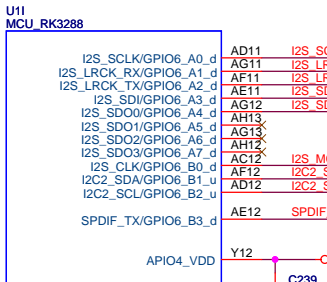
Modify Date: Friday, November 20, 2015 Page Total: 22



- AA23
- AB24
- AA22
- AA24
- T27
- T28
- U27
- U28
- W27
- W28
- Y27
- Y28
- AA27
- AA28
- V27
- V28
- U25
- U26
- V25
- V26
- AA25
- AA26
- AB27
- AB28
- AC25
- AC26
- Y25
- Y26



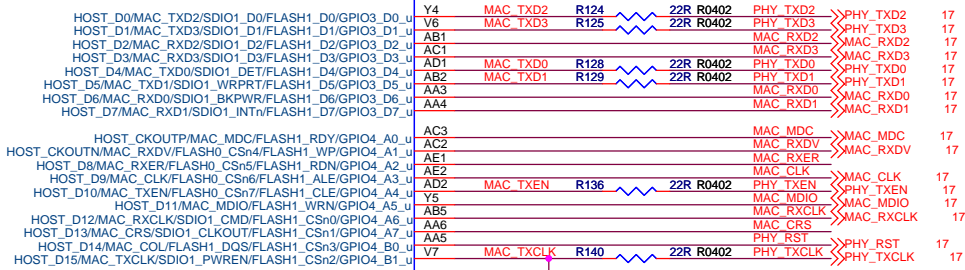
RK3288_A



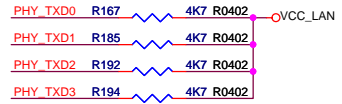
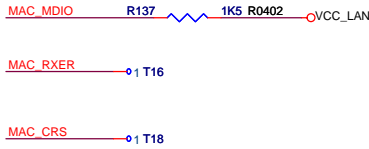
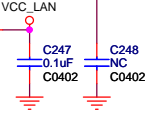
MIC
RK3288_I

Rackchip 瑞芯微电子		福州瑞芯微电子有限公司	
Title: RK3288 LCDC/I2S Controller			
File: RK3288_BOX_Ref			REV:1.2
Create Date: Monday, February 17, 2014	Page Num: 13		
Modify Date: Wednesday, December 09, 2015	Page Total: 22		

U1Q
MCU_RK3288



RK3288_Q

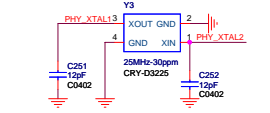
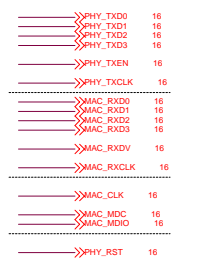


Rackchip 瑞芯微电子股份有限公司

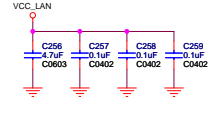
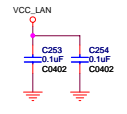
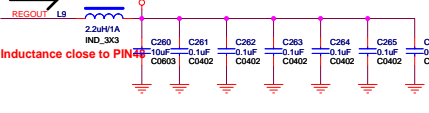
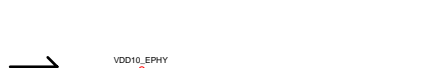
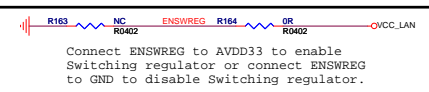
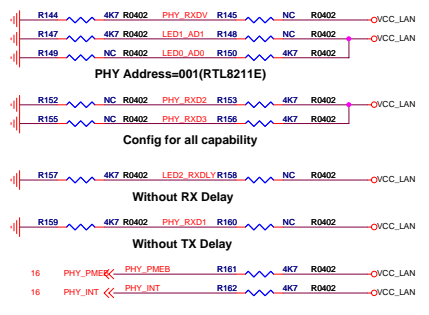
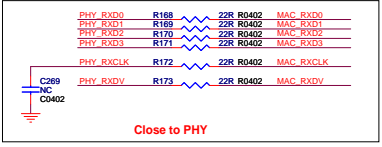
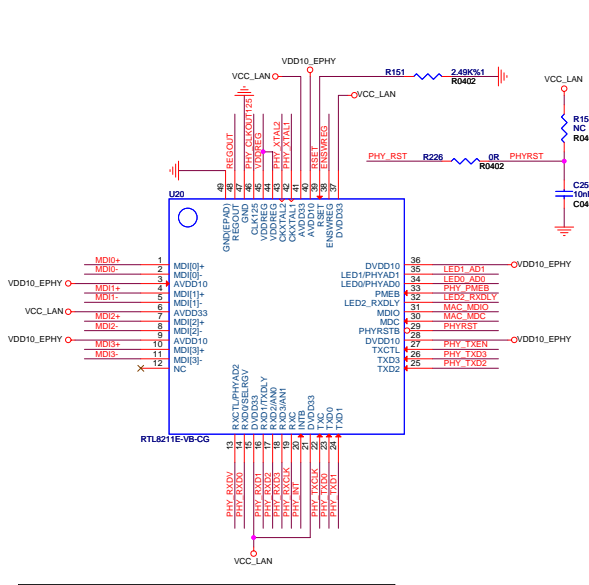
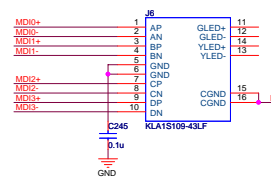
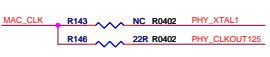
Title: RK3288 EthernetMAC Controller

File: RK3288_BOX_Ref REV:1.2

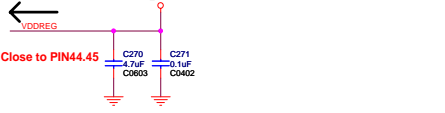
Create Date: Monday, February 17, 2014	Page Num: 16
Modify Date: Friday, November 20, 2015	Page Total: 22



If use external clock then the XTAL2 need connect to GND for RTL8211E.



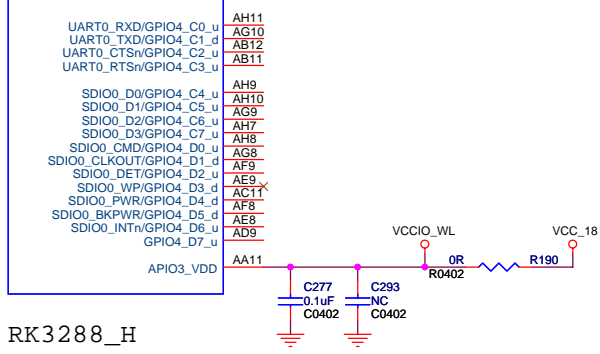
Pull down for 2.5V RGMII(RTL8211D/8211E)
Pull up for 3.3V RGMII (RTL8211D/8211E)
Pull up1.5 /1.8V RGMII (RTL8211E-VL only)



Rockchip 福州瑞芯微电子股份有限公司

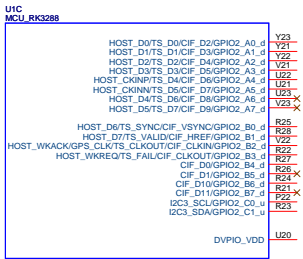
Title: 10/100/1000M-PHY
File: RK3288_BOX_Ref
Create Date: Sunday, January 26, 2014
Modify Date: Wednesday, December 09, 2015

U1H
MCU_RK3288

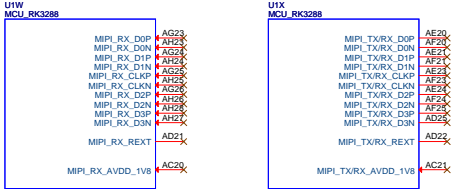


RK3288_H

Rackchip 瑞芯微电子	
福州瑞芯微电子有限公司	
Title: RK3288 SDIO0 Controler	
File: RK3288_BOX_Ref	REV:1.2
Create Date: Monday, February 17, 2014	Page Num: 18
Modify Date: Wednesday, December 09, 2015	Page Total: 22

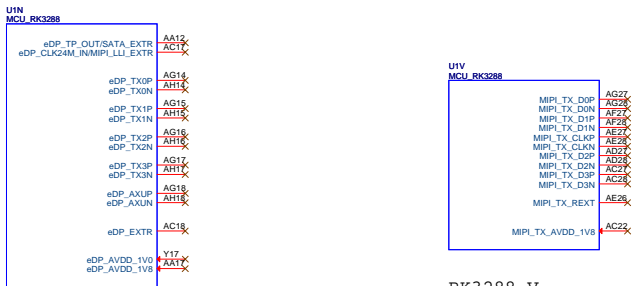


RK3288_C



RK3288_W

RK3288_X

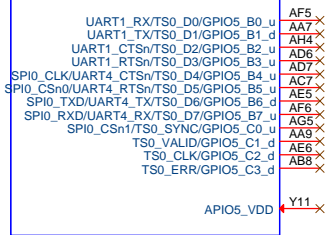


RK3288_N

RK3288_V

Rockchip 瑞芯微电子		福州瑞芯微电子股份有限公司	
Title: Camera Interface			
File: RK3288_BOX_Ref		REV:1.2	
Create Date: Sunday, January 26, 2014	Page Num: 21		
Modify Date: Wednesday, December 09, 2015	Page Total: 22		

U1J
MCU_RK3288



RK3288_J

Rackchip 瑞芯微电子 福州瑞芯微电子技术有限公司	
Title: DTV- (Reserve)	
File: RK3288_BOX_Ref	REV:1.2
Create Date: Monday, February 17, 2014	Page Num: 22
Modify Date: Friday, November 20, 2015	Page Total: 22